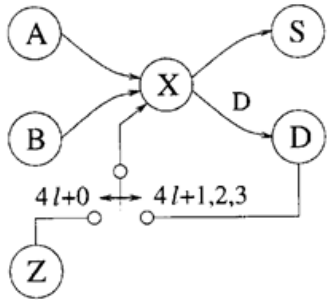


便箋標



$$\begin{array}{ll} (0+1) \div 4 = 0 \dots 1 & (4l+0) \div 4 = (l+0) \dots 0 \\ (1+1) \div 4 = 0 \dots 2 & (4l+1) \div 4 = (l+0) \dots 1 \\ (2+1) \div 4 = 0 \dots 3 & (4l+2) \div 4 = (l+0) \dots 2 \\ (3+1) \div 4 = 1 \dots 0 & (4l+3) \div 4 = (l+0) \dots 3 \end{array}$$

2016/10/18

