

DSP in VLSI Design

Homework (VII)

Systolic Architecture Design

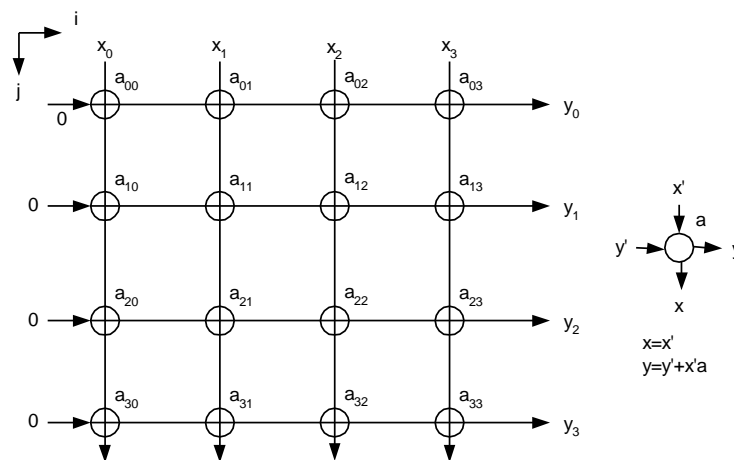
Deadline: Nov. 29

1. This problem addresses systolic architecture design for matrix-vector multiplication.

In this problem, we assume that each processing element can only access its local memory and the elements in matrix \mathbf{A} are constant. Consider the following matrix-vector multiplication:

$$\begin{bmatrix} y_0 \\ y_1 \\ y_2 \\ y_3 \end{bmatrix} = \begin{bmatrix} a_{00} & a_{01} & a_{02} & a_{03} \\ a_{10} & a_{11} & a_{12} & a_{13} \\ a_{20} & a_{21} & a_{22} & a_{23} \\ a_{30} & a_{31} & a_{32} & a_{33} \end{bmatrix} \begin{bmatrix} x_0 \\ x_1 \\ x_2 \\ x_3 \end{bmatrix}$$

Its data dependency graph is shown in the following figure, where the element a_{ij} of the coefficient matrix \mathbf{A} is stored at position (i, j) .



(a) Draw the space-time representation and the systolic architecture for the matrix-vector multiplication using

$$\mathbf{d}^T = [1 \ 0], \mathbf{p}^T = [0 \ 1], \mathbf{s}^T = [1 \ 1].$$

Assume that storage is localized to each processing element. Explicitly show the contents of local memory.

(b) Map the same DG with different mapping vectors:

i. $\mathbf{d}^T=[1 \ 1]$, $\mathbf{p}^T=[1 \ -1]$, $\mathbf{s}^T=[1 \ 0]$.

ii. $\mathbf{d}^T=[1 \ 1]$, $\mathbf{p}^T=[1 \ -1]$, $\mathbf{s}^T=[0 \ 1]$.

We have three architectures now, including these two architectures and the one in (a). Do you think which one is better? Why?

(c) Use the mapping vector in (a). If the elements in matrix \mathbf{A} are not constant. Derive the systolic architecture.

2. Remember in homework 1. You have drawn the DG of a 2D moving average filter for an image, which can be shown as the following equation:

$$y(i, j) = \sum_{m=-1}^1 \sum_{n=-1}^1 x(i+m, j+n),$$

$$i, i+m \in [0, W]$$

$$j, j+n \in [0, H]$$

where $x(i,j)$ is the input image, $y(i,j)$ is the filtered image, and W and H are the width and height of the image, respectively.

(a) Now, please choose two set of mapping vectors (projection vector and scheduling vector) and draw the associated hardware architecture.

(b) Show the scheduling of our hardware to prove its function is correct.

Please deliver the homework to the TA:

MD-431, 郭品宏, setsunil@media.ee.ntu.edu.tw

除非為程式作業，作業盡量繳交紙本格式