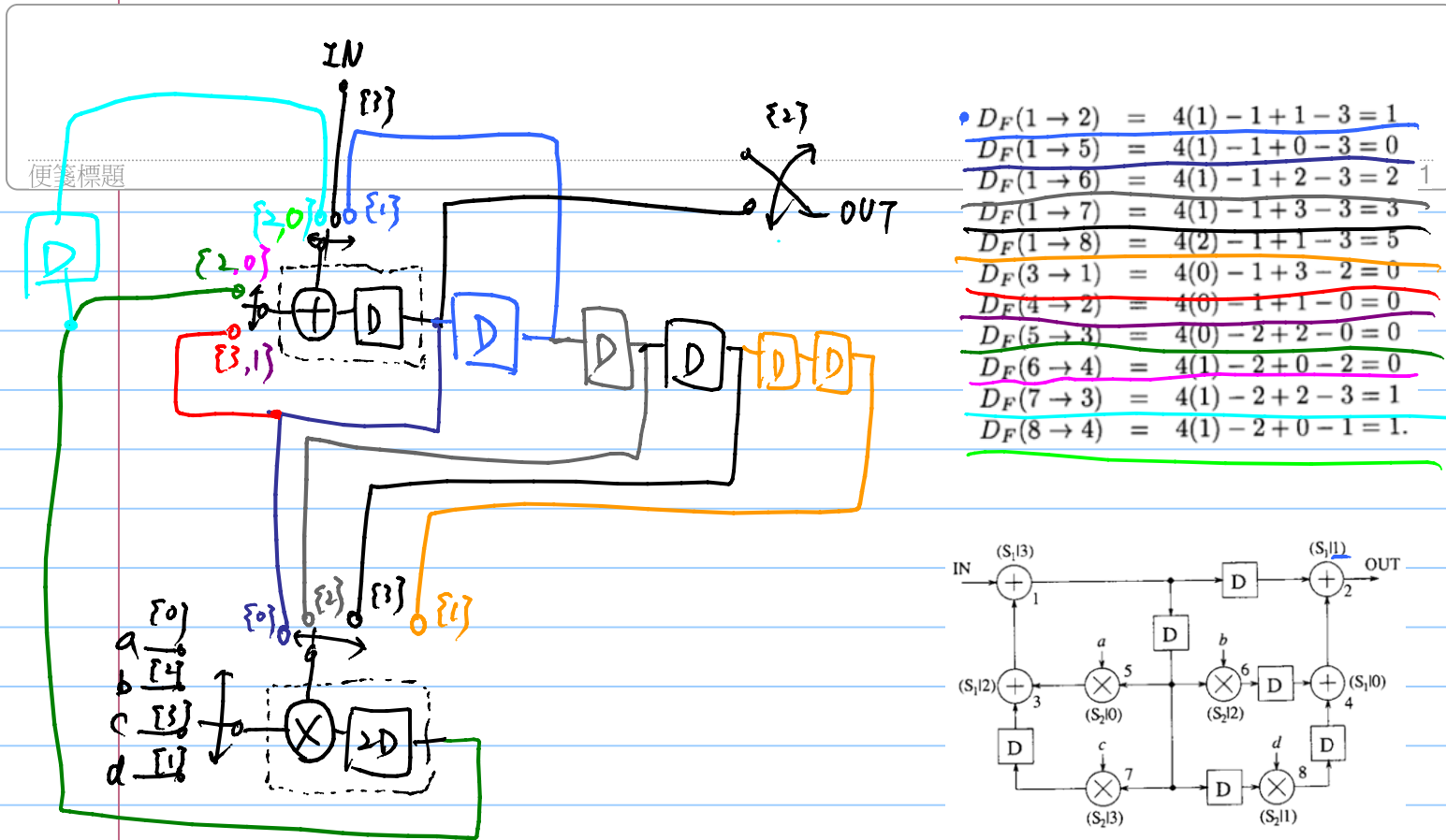
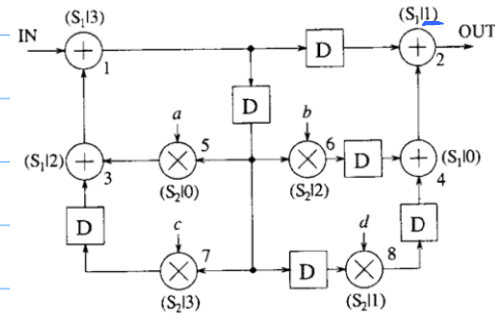
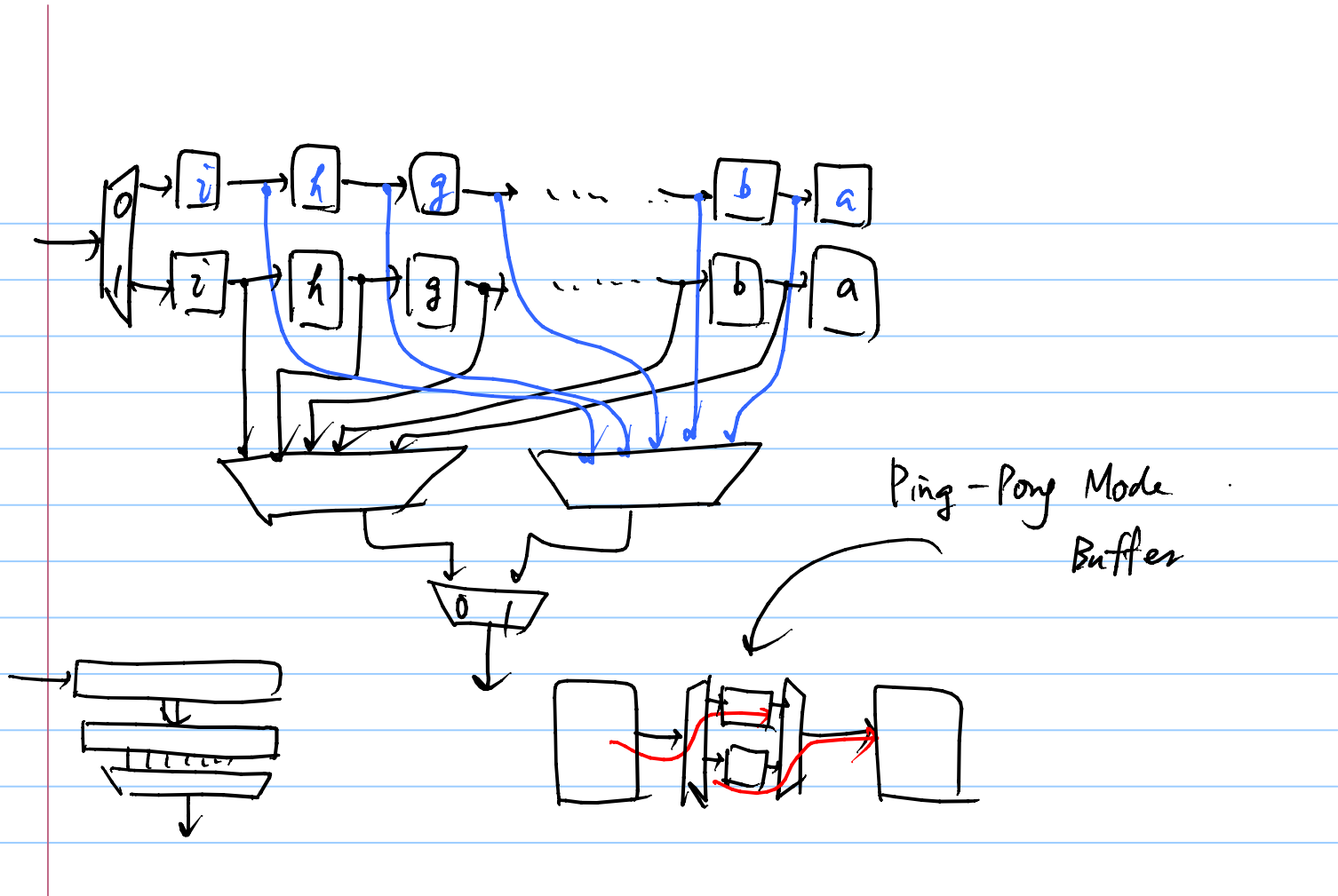


便箋標題

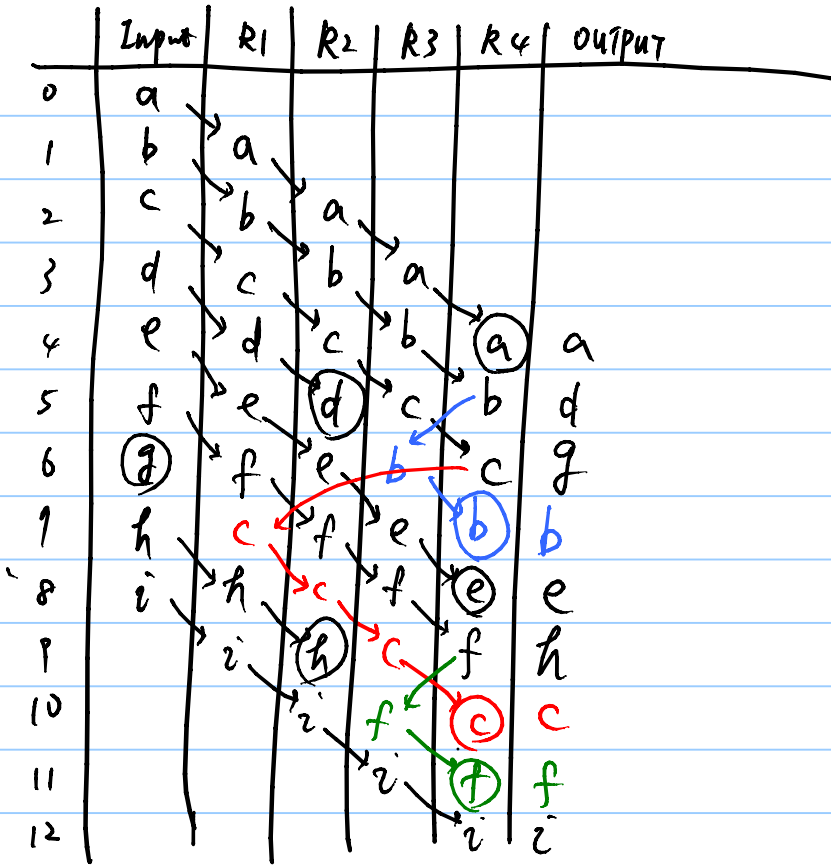


- $D_F(1 \rightarrow 2) = 4(1) - 1 + 1 - 3 = 1$
- $D_F(1 \rightarrow 5) = 4(1) - 1 + 0 - 3 = 0$
- $D_F(1 \rightarrow 6) = 4(1) - 1 + 2 - 3 = 2$
- $D_F(1 \rightarrow 7) = 4(1) - 1 + 3 - 3 = 3$
- $D_F(1 \rightarrow 8) = 4(2) - 1 + 1 - 3 = 5$
- $D_F(3 \rightarrow 1) = 4(0) - 1 + 3 - 2 = 0$
- $D_F(4 \rightarrow 2) = 4(0) - 1 + 1 - 0 = 0$
- $D_F(5 \rightarrow 3) = 4(0) - 2 + 2 - 0 = 0$
- $D_F(6 \rightarrow 4) = 4(1) - 2 + 0 - 2 = 0$
- $D_F(7 \rightarrow 3) = 4(1) - 2 + 2 - 3 = 1$
- $D_F(8 \rightarrow 4) = 4(1) - 2 + 0 - 1 = 1$

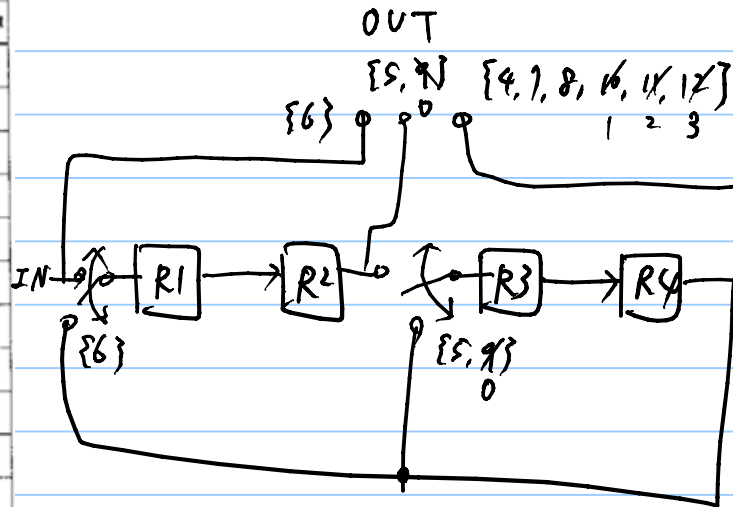


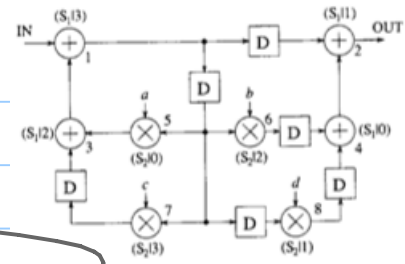
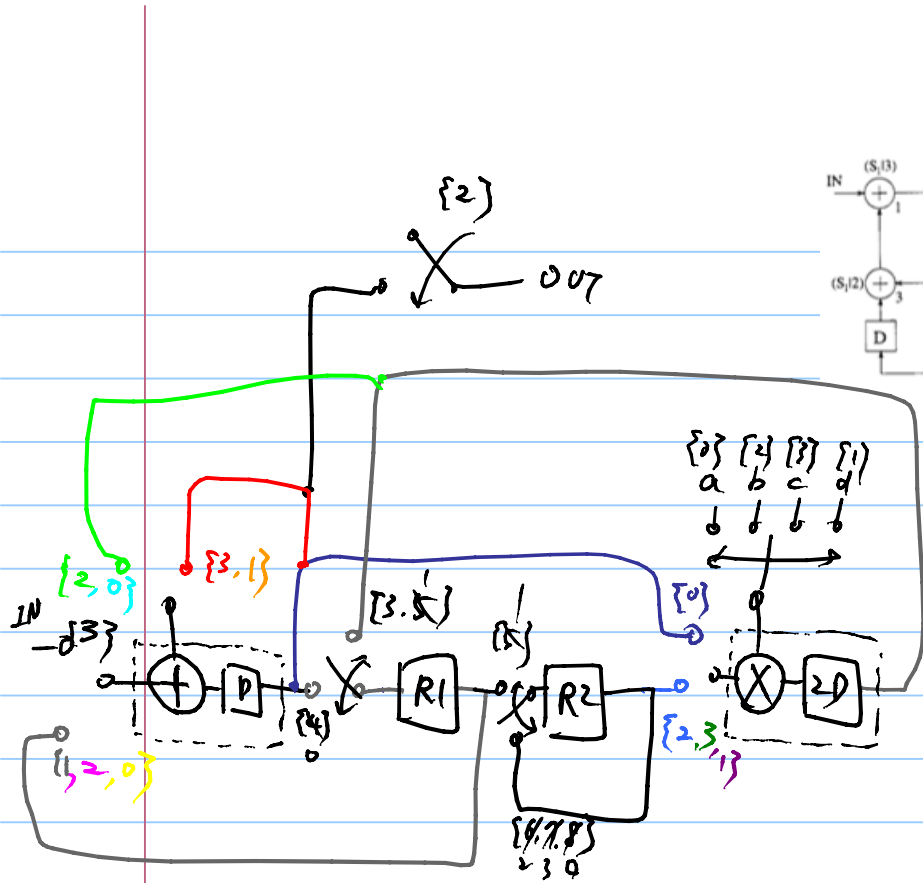


cycle	a	b	c	d	e	f	g	h	i	# live
0										0
1	•									1
2	•	•								2
3	•	•	•							3
4	•	•	•	•						4
5	•	•	•	•	•					4
6	•	•	•	•	•	•				4
7	•	•	•	•	•	•	•			4
8	•	•	•	•	•	•	•	•		4
9	•	•	•	•	•	•	•	•	•	4+0=4
10	•	•	•	•	•	•	•	•	•	3+1=4
11	•	•	•	•	•	•	•	•	•	2+2=4
12	•	•	•	•	•	•	•	•	•	1+3=4



cycle	input	R1	R2	R3	R4	output
0	a					
1	b	a				
2	c	b	a			
3	d	c	b	a		
4	e	d	c	b	a	a
5	f	e	d	c	b	d
6	g	f	e	b	c	g
7	h	c	f	e	b	b
8	i	h	c	f	c	e
9		i	h	c	f	h
10			i	f	c	c
11				i	f	f
12					i	i





cycle	input	R1	R2	output
0				
1				
2				
3	$n_4$			
4	$n_1$	$n_4$		$n_4$
5	$n_7$	$n_1$	$n_4$	
6		$n_7$	$n_1$	$n_7$
7			$n_7$	$n_1$
8				$n_7$
9				$n_1$

$$\begin{aligned}
 D_F(1 \rightarrow 2) &= 4(1) - 1 + 1 - 3 = 1 \\
 D_F(1 \rightarrow 5) &= 4(1) - 1 + 0 - 3 = 0 \\
 D_F(1 \rightarrow 6) &= 4(1) - 1 + 2 - 3 = 2 \\
 D_F(1 \rightarrow 7) &= 4(1) - 1 + 3 - 3 = 3 \\
 D_F(1 \rightarrow 8) &= 4(2) - 1 + 1 - 3 = 5 \\
 D_F(3 \rightarrow 1) &= 4(0) - 1 + 3 - 2 = 0 \\
 D_F(4 \rightarrow 2) &= 4(0) - 1 + 1 - 0 = 0 \\
 D_F(5 \rightarrow 3) &= 4(0) - 2 + 2 - 0 = 0 \\
 D_F(6 \rightarrow 4) &= 4(1) - 2 + 0 - 2 = 0 \\
 D_F(7 \rightarrow 3) &= 4(1) - 2 + 2 - 3 = 1 \\
 D_F(8 \rightarrow 4) &= 4(1) - 2 + 0 - 1 = 1.
 \end{aligned}$$