

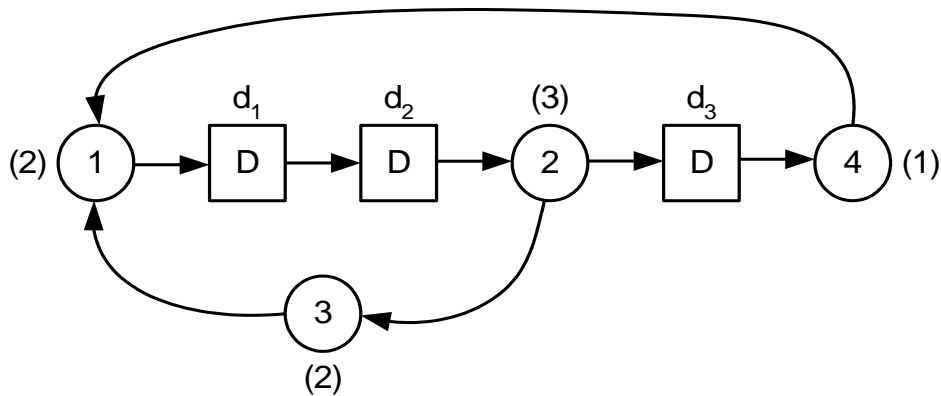
DSP in VLSI Design

Homework (II)

Iteration Bound

Deadline: Oct. 5

1. For the DGF shown in the following figure, where the computation times of the nodes are shown in parentheses, compute the iteration bound of this DFG using LPM algorithm.



Please deliver the homework to the TA:

BL-421, 吳柏辰, pcwu@media.ee.ntu.edu.tw

除非為程式作業，作業盡量繳交紙本格式，不過要交電子檔也沒關係