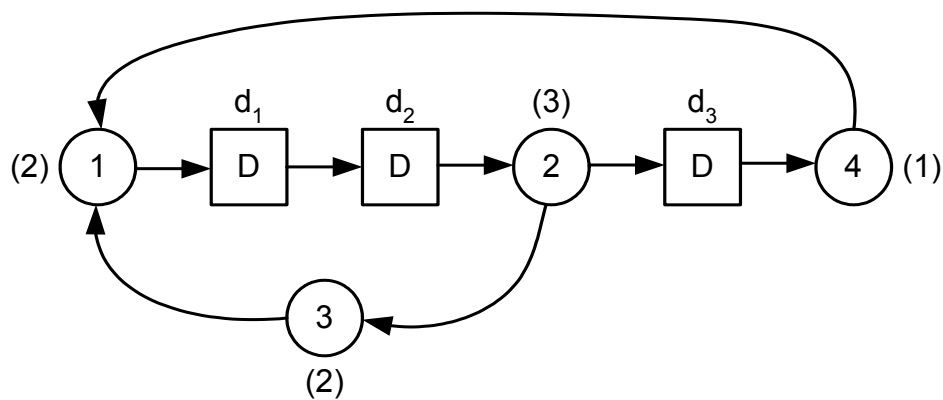


DSP in VLSI Design Homework (II)

Iteration Bound

Deadline: March 20

1. For the DGF shown in the following figure, where the computation times of the nodes are shown in parentheses, compute the iteration bound of this DFG using LPM algorithm.



Please deliver the homework to the TA:

dspdesign@video.ee.ntu.edu.tw

除非為程式作業，作業盡量繳交紙本格式，不過要交電子檔也沒關係